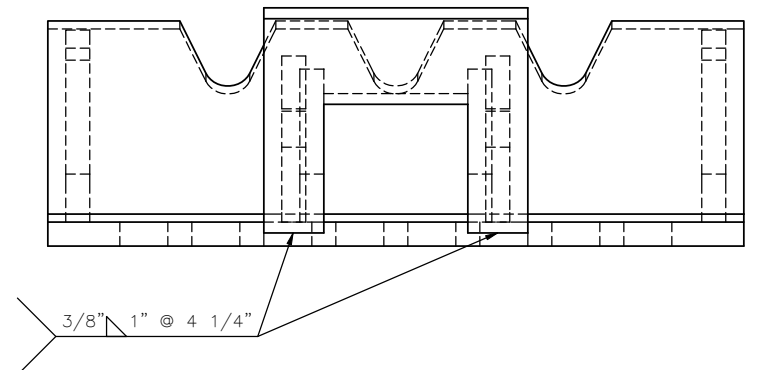
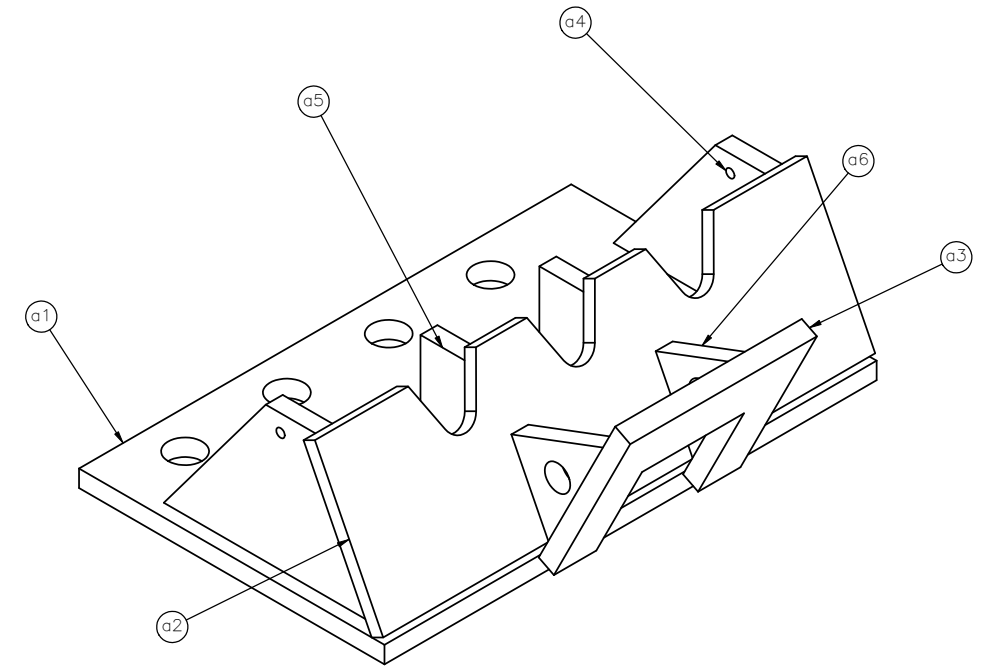
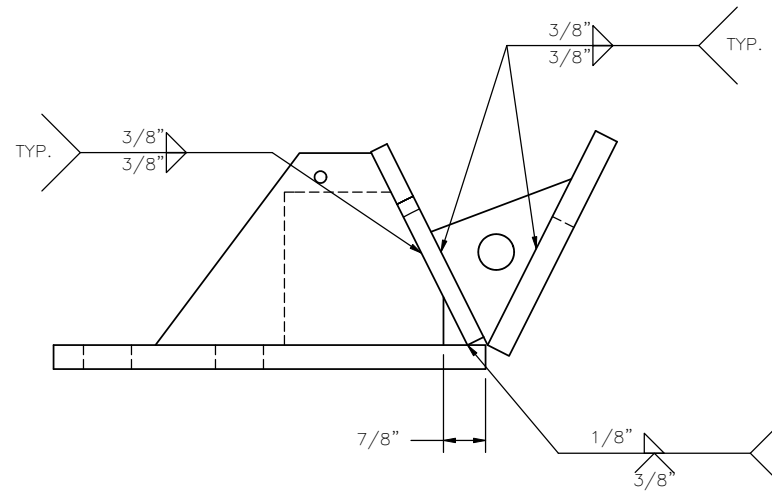
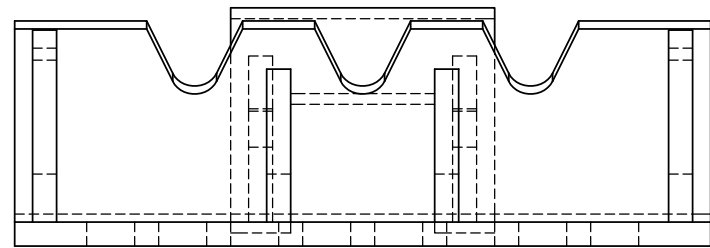
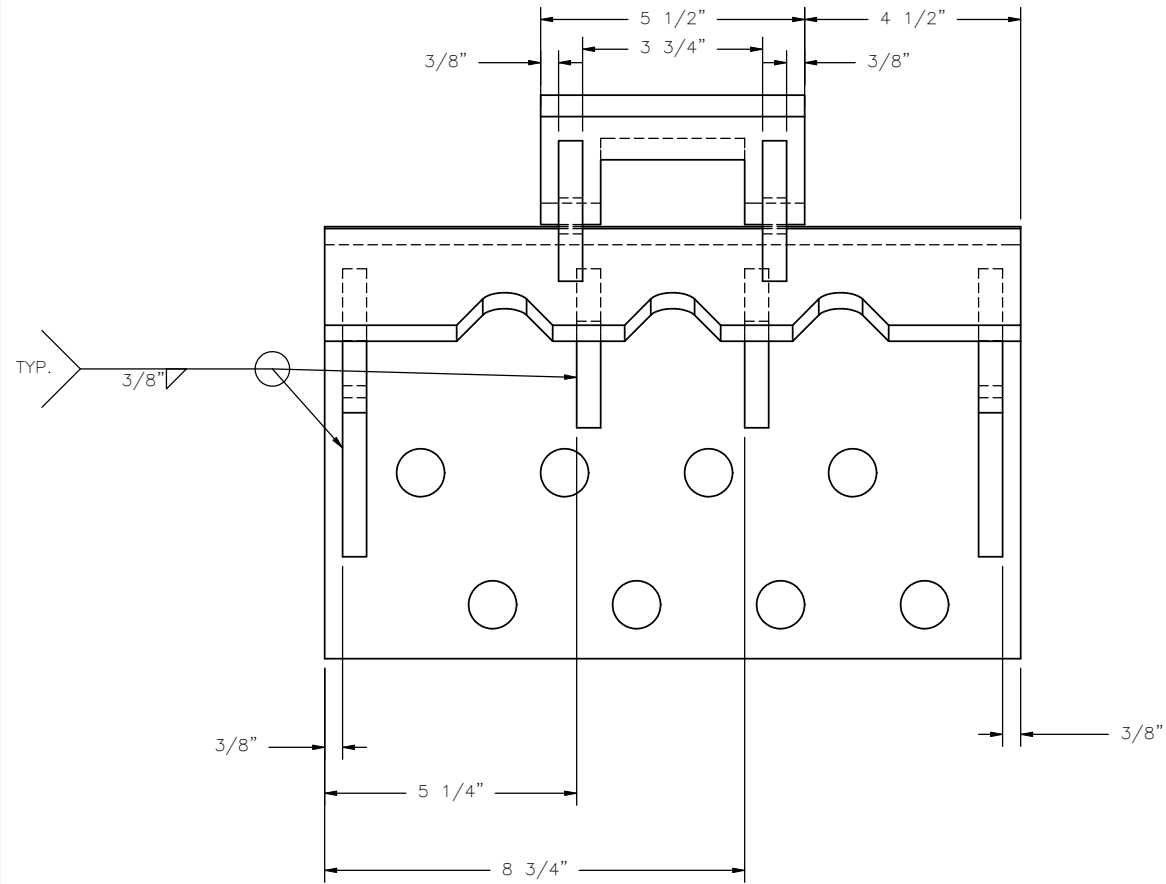


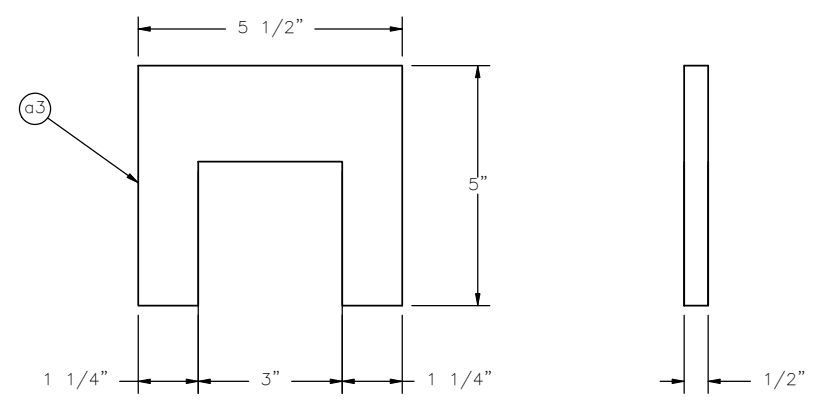
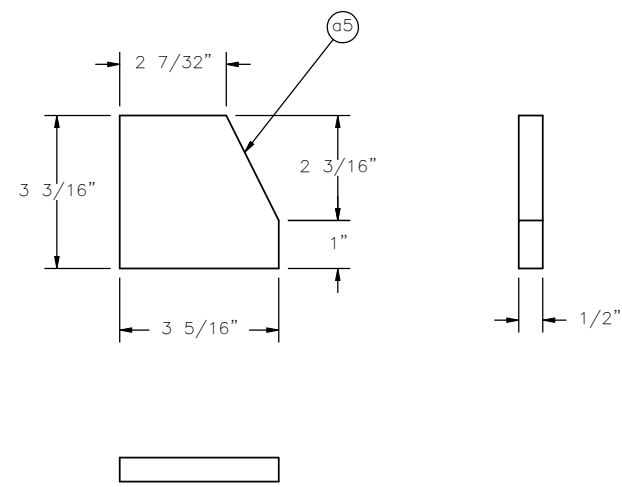
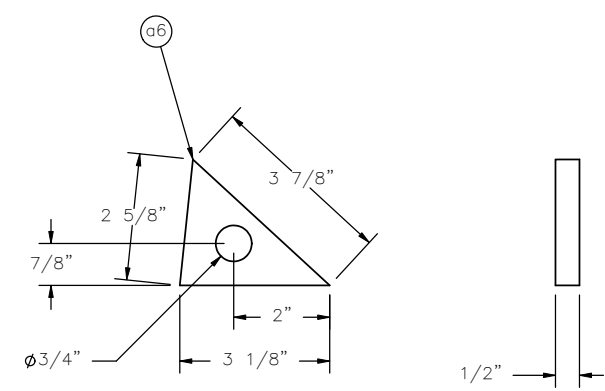
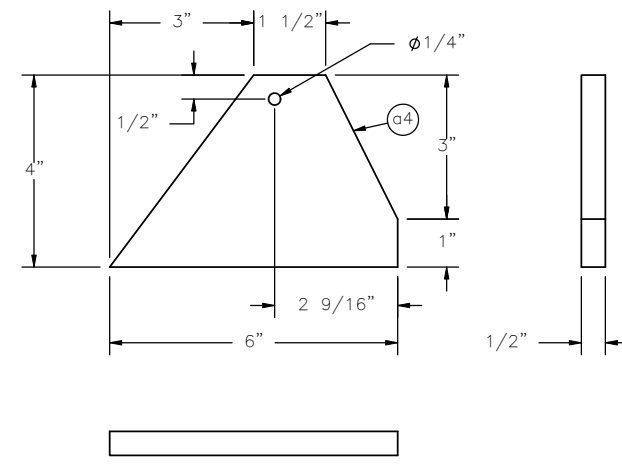
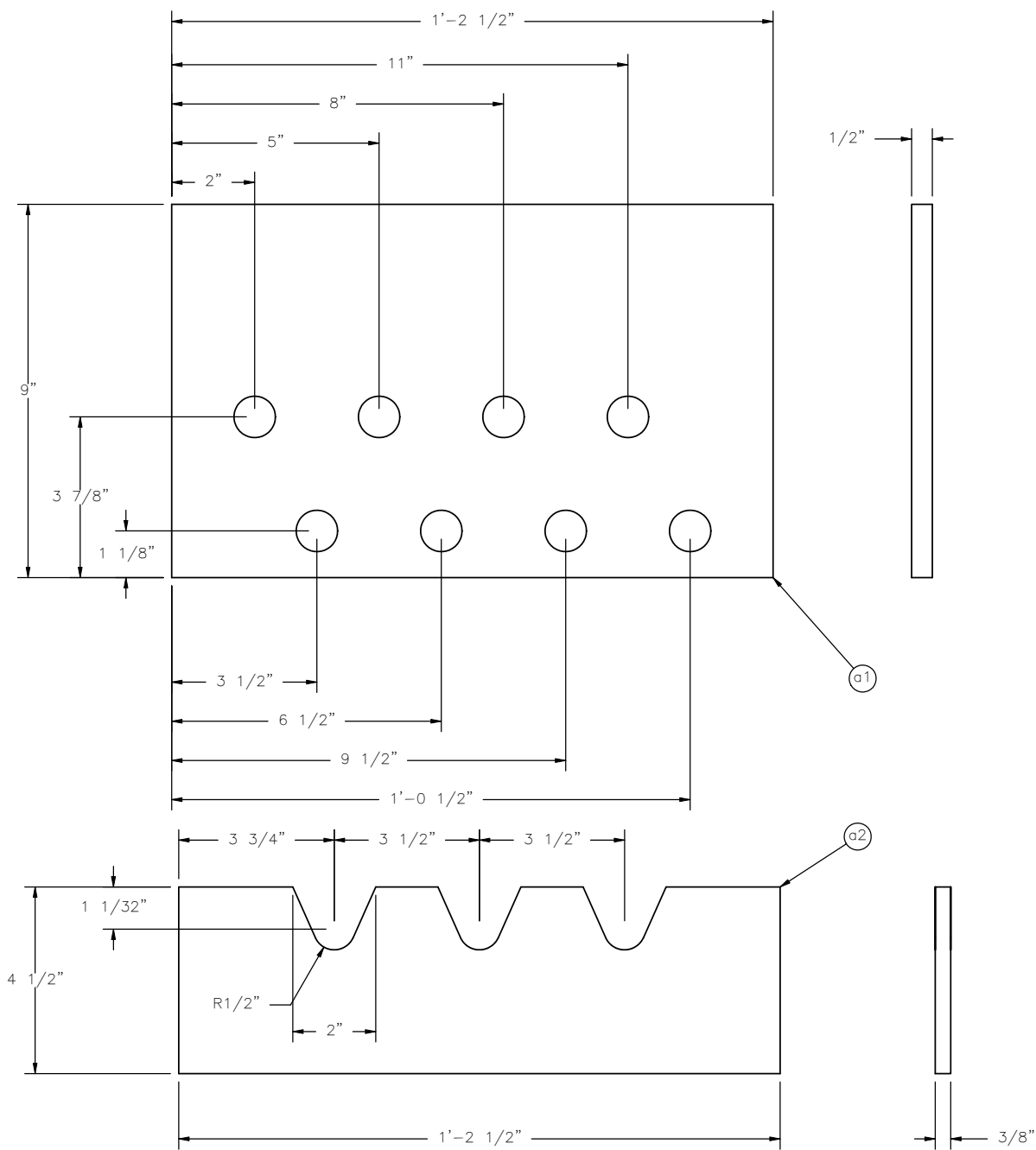
Low Tension CAble Release Bracket					
Item No.	Description	QTY.	Material Spec	Comment	File Name
a1	Anchor Bracket Plate	1	A36	-	LT_Cable_Term_Anchor_Bracket_Plate
a2	Cable Plate	1	A36	-	LT_Cable_Term_Cable_Plate
a3	Release Lever Plate	1	A36	-	LT_Cable_Term_Release_Lever_Plate
a4	Exterior Cable Plate Gusset	2	A36	-	LT_Cable_Term_exterior_gusset
a5	Cable Plate Interior Gusset	2	A36	-	LT_Cable_Term_interior_gusset
a6	Release Lever Plate Gusset	2	A36	-	LT_Cable_Term_Release_Lever_Plate_Gusset



Low Tension Cable Bracket - CT-4
Assembled Bracket

DWG. NAME: LT_Cable_Terminal_Bracket-CT-4 R1
SCALE: None
UNITS: Inches
REV. BY: RWB

SHEET: 1 of 2
DATE: 4/29/2010
DRAWN BY: RWB/CJS



Low Tension Cable Bracket - CT-4
Bracket Parts

DWG. NAME: LT_Cable_Terminal_Bracket-CT-4 R1
SCALE: None
UNITS: Inches

REV. BY: RWB

SHEET: 2 of 2
DATE: 4/29/2010
DRAWN BY: RWB/CJS